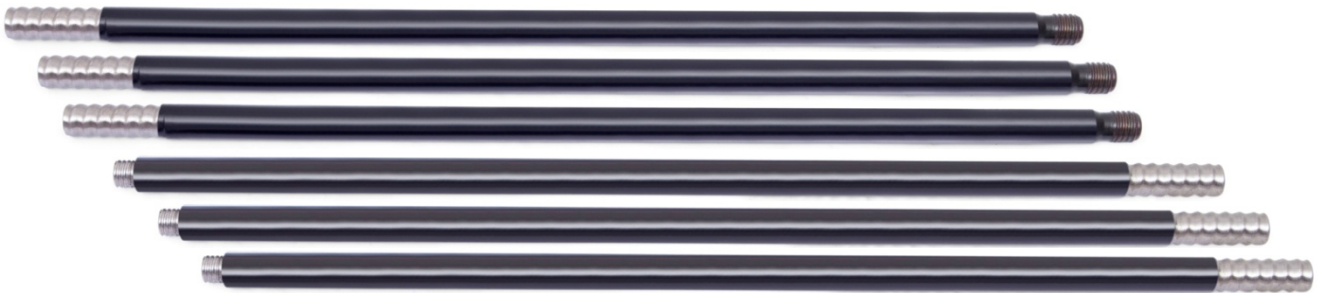






Taphole Drill Rod For Blast Furnaces




Single-Lug (Double-Lug) Threaded Drill Rod

Description	Length		Diameter		Part No.
	mm	in	mm	in	
	1830	6'	32	1 1/4"	MT32-18 H25L
	2435	8'	32	1 1/4"	MT32-24 H25L
	3050	10'	32	1 1/4"	MT32-30 H25L
	3660	12'	32	1 1/4"	MT32-36 H25L
	3830	12'6"	32	1 1/4"	MT32-38 H25L
	4300	14'1"	32	1 1/4"	MT32-43 H25L
	1830	6'	38	1 1/2"	MT38-18 D30L
	2435	8'	38	1 1/2"	MT38-24 D30L
	3050	10'	38	1 1/2"	MT38-30 D30L
	3660	12'	38	1 1/2"	MT38-36 D30L
	3830	12'6"	38	1 1/2"	MT38-38D30L
	4300	14'1"	38	1 1/2"	MT38-43 D30L



Single-Lug(Double-Lug) Welding Drill Rod

Description	Length		Diameter		Part No.
	mm	in	mm	in	
	3500	11'6"	32	1 1/4"	MW32-35L
	4270	14'	32	1 1/4"	MW32-42L
	4420	14'6"	32	1 1/4"	MW32-44L
	5000	16'4"	32	1 1/4"	MW32-50L
	5400	17'7"	32	1 1/4"	MW32-54L
	6000	19'8"	32	1 1/4"	MW32-60L
	3500	11'6"	38	1 1/2"	MW38-35L
	4270	14'	38	1 1/2"	MW38-42L
	4420	14'6"	38	1 1/2"	MW38-44L
	5000	16'4"	38	1 1/2"	MW38-50L
	5400	17'7"	38	1 1/2"	MW38-54L
	6000	19'8"	38	1 1/2"	MW38-60L

Extension Drill Rod

Description	Length		Diameter		Part No.
	mm	in	mm	in	
	1830	6'	32	1 1/4"	ME32-18R32/H25
	2435	8'	32	1 1/4"	ME32-24R32/H25
	3050	10'	32	1 1/4"	ME32-30R32/H25
	3660	12'	32	1 1/4"	ME32-36R32/H25
	3830	12'6"	32	1 1/4"	ME32-38R32/H25
	4300	14'1"	32	1 1/4"	ME32-43R32/H25
	1830	6'	38	1 1/2"	ME38-18R38/R38 (ME38-18R38 / D30)
	2435	8'	38	1 1/2"	ME38-24R38/R38 (ME38-24R38 / D30)
	3050	10'	38	1 1/2"	ME38-30R38/R38 (ME38-30R38 / D30)
	3660	12'	38	1 1/2"	ME38-36R38/R38 (ME38-36R38 / D30)
	3830	12'6"	38	1 1/2"	ME38-38R38/R38 (ME38-38R38 / D30)
	4300	14'1"	38	1 1/2"	ME38-43R38/R38 (ME38-43R38 / D30)

Semi-finished Materials

Description	Diameter		Part No.
	mm	in	
	32	1 1/4"	Hollow Drill Steel
	38	1 1/2"	
	32	1 1/4"	Seamless Steel Pipe
	38	1 1/2"	